



===== CONTENTS =====

| | |
|--|-----------|
| 1. INTRODUCTION | 3 |
| 2. FEATURES | 3 |
| 3. PIN ASSIGNMENTS | 4 |
| 4. I/O PORT | 5 |
| 5. TIMER/COUNTER | 6 |
| 6. Real Time Clock (RTC) | 6 |
| 7. DA & PWM | 6 |
| 7.1 DAC..... | 6 |
| 7.2 PWM..... | 7 |
| 8. EXTENSION BUS | 8 |
| 8.1 Extension Bus for External Memory Device | 8 |
| 9. UART INTERFACE | 13 |
| 10. LCD DRIVER INTERFACE | 13 |
| 10.1 8-Bit Interface..... | 13 |
| 10.2 1-Bit Interface..... | 16 |
| 10.3 LCD RAM Assignment | 16 |
| 10.4 LCD RAM Mapping | 17 |
| 10.5 LCD Interface Configuration | 18 |
| 11. APPLICATION DIAGRAM | 20 |
| 11.1 Application 1..... | 20 |
| 11.2 Application 2..... | 21 |
| 12. BONDING PAD | 22 |
| 13. ABSOLUTE MAXIMUM RATINGS | 23 |
| 14. ELECTRICAL CHARACTERISTICS | 23 |

AMENDMENT HISTORY

| Version | Date | Description |
|----------------|------------------|---|
| Ver 1.5 | October 28, 2002 | V1.5 first issue |
| Ver 1.6 | March 27, 2003 | Add revision history Update application circuit Page4: AP3.0~P3.10 -> P3.0~P3.10 Page10: Update addressing capability of Table-2, Figure-7 & Figure-8 Page12, 13: modify the read/write wave-form of external memory Page25: Add one resister between CVDD and VDD for 3 batteries application. |
| Ver 1.7 | May 2, 2003 | Final released version |



1. INTRODUCTION

SNL310 is a high performance 16-bit DSP base processor with an 8-bit microprocessor interface to drive various external devices, such as standard mask ROM, Flash, SRAM and 1-bit/8-bit interface LCD drivers. Besides, this chip also provides a UART interface to communicate with PC or other devices. This chip is not only a simple controller but also a powerful software voice synthesizer to realize voice hi-compression, 4-ch wave-table melody.

2. FEATURES

- ◆ Power supply: 2.4V ~ 3.6V (for 2 batteries application)
3.6V ~ 5.1V (for 3 batteries application)
- ◆ Built-in 16-bit DSP
- ◆ Software-based voice/melody processing
- ◆ Rich Function Instruction Set
- ◆ 16MHz crystal or R-C type oscillator for system clock
- ◆ 8 MIPS CPU performances under 16MHz
- ◆ I/O Ports: 64 I/O pins (P2.0~P2.15, P3.0~P3.15, P4.0~P4.15 and P5.0~P5.15)
- ◆ ROM size: 96K*16 bits
- ◆ RAM size: 4k*16 bits (including LCD RAM)
- ◆ 8 Interrupt Sources
 - 4 internal interrupt (T0, T1, T2 and RTC)
 - 3 external interrupt (P3.0~P3.2)
 - 1 DA/PWM output
- ◆ Two voice/melody channels or 4 channels wave-table melody
- ◆ Three 8-bit timers with auto-reload function
- ◆ Built-in 32768 crystal for Real Time Clock
- ◆ Built in PWM direct drive circuit and fixed current D/A output
- ◆ Sampling Rate: 4KHz ~16KHz
- ◆ Built-in software voice synthesizer for multiple bit-rate solution
- ◆ UART interface provided



3. PIN ASSIGNMENTS

| Symbol | Descriptions | No. of Pin | Pin Count |
|------------|--|------------|-----------|
| XIN | High speed clock crystal input / RC-type oscillator input | 1 | 1 |
| XOUT | High speed clock crystal output / RC-type oscillator input | 1 | 2 |
| LXIN | Low speed clock crystal input | 1 | 3 |
| LXOUT | Low speed clock crystal output | 1 | 4 |
| CKSEL | Crystal/RC-type oscillator select for high speed clock | 1 | 5 |
| BP0 | PWM output 1 | 1 | 6 |
| BN0 | PWM output 2 | 1 | 7 |
| VO | DA output | 1 | 8 |
| RST | Chip reset | 1 | 9 |
| CVDD | Positive power supply for core circuit | 2 | 11 |
| VDD | Positive power supply | 6 | 17 |
| GND | Negative power supply | 8 | 25 |
| TEST | For test only | 1 | 26 |
| P2.0~P2.15 | General I/O port P2.0~P2.15 | 16 | 42 |
| P3.0~P3.10 | General I/O port P3.0~P3.10 P3.0: INT0 / RxD pin of UART interface P3.1: INT1 / TxD pin of UART interface P3.2: INT2 P3.3: IR output P3.4~P3.5: general I/O P3.6: LCD serial data output (LSD) P3.7: LCD serial mode clock out1 (LCO1) P3.8: LCD serial mode clock out2 (LCO2) P3.9: LCD frame inversion control P3.10: COM data synchronize signal / E_R P3.11~P3.14: chip select pin CS3~CS0 P3.15: address pin A[22] for 16-bit mode of extension Bus | 16 | 58 |
| P4.0~P4.15 | General I/O port P4.0~P4.15 Address bus A[0..15] of external device interface | 16 | 74 |
| P5.0~P5.15 | General I/O port P5.0~P5.5: address bus A[16..21] of external device interface P5.6: WRB / RDB of external device interface P5.7: Enb / RDB of external device interface P5.8~P5.15: data bus D[0..7] of extension bus | 16 | 90 |

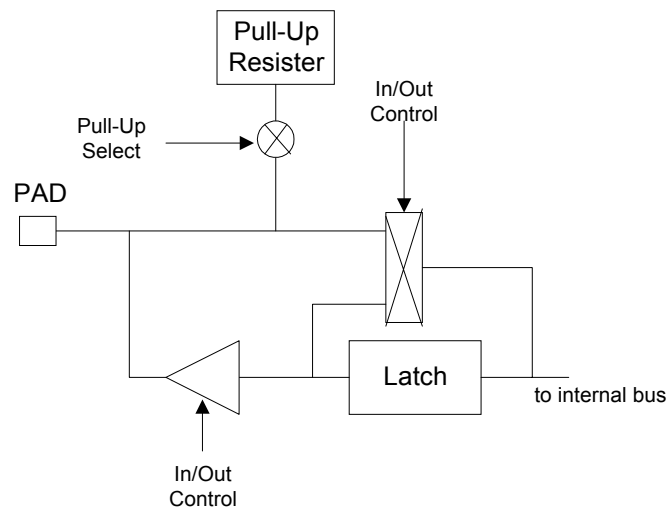
4. I/O PORT

SNL310 provides totally 64 I/O pins (P2.0~P2.15, P3.0~P3.15, P4.0~P4.15, and P5.0~P5.15). The input pull high resistor of each pin can be programmed by Port Pull-High Register and the direction of I/O port is selected by Port Direction Register. The Port2 (P2.0~P2.15) and Port3 (P3.0~P3.15) can wake the chip up from the stop mode and watch mode.

These 64 programmable I/O pins provides not only a simply input/output function but also flexible configuration. It can be configured to be an 8-bit microprocessor interface to drive external devices, such as mask ROM, Flash and SRAM and LCD driver.

Furthermore, the pins “TxD” and “RxD” are shared with P3.0 and P3.1.

The internal structure of I/O pins is showed in **Figure-2**.



I/O Configuration of Port2 ~ Port5
Figure-2

In some applications (e.g., Infra Red, IR), an output port needs to be modulated a carry signal. In the cases, the routine of modulation will occupy too many CPU computations. Thus, a modulation circuit is built in chip to reduce CPU's loading,

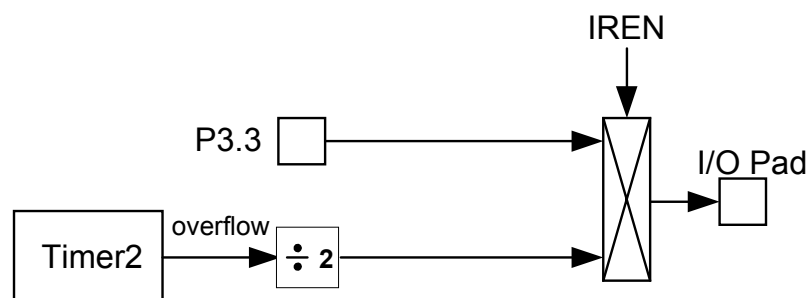


Figure-3

The modulation function will be active when the control bit “IREN” set to “1”. And setting timer2 can generate the frequency of carry signal.

5. TIMER/COUNTER

SNL310 provides three 8-bit timer/event counters (T0/T1/T2). Each timer is 8-bit binary up-count timer with pre-scalar and auto-reload function. Timer 0 (T0) was used when voice playing, so user should avoid to use T0.

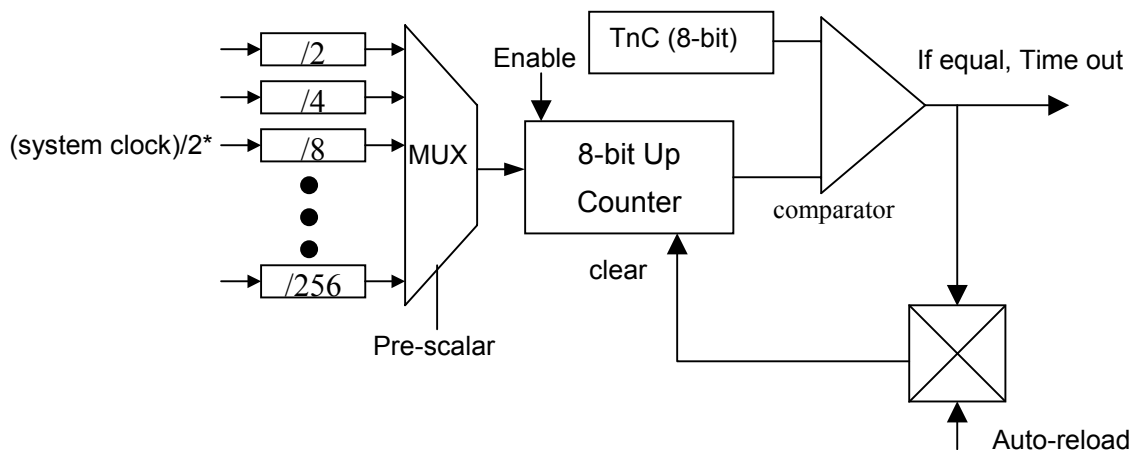


Figure-4

6. Real Time Clock (RTC)

To realize the watch function, 0.25s RTC (real time clock) is built in the chip. The real time clock has two clock sources. One is from system clock (16MHZ) and another one is from low-speed clock source (32768HZ). Once the RTC function is enabled, the RTC circuit will generate an interrupt request per 0.25 second.

If chip is in power-down mode and interrupt enable is active for RTC, then chip will be wake-up from power-down mode per 0.25 second.

7. DA & PWM

To play out voices, SNL310 contains two different solutions for the user's applications, DAC and PWM. The user can choose one of these two solutions in this design. Only one function can be activated at one time.

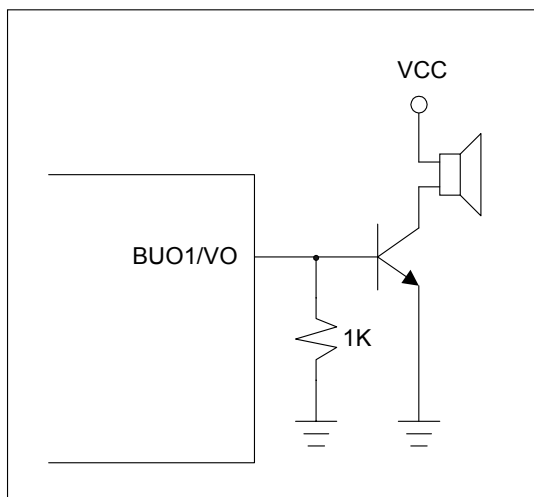
7.1 DAC

A 10-bit current type digital-to-analog converter is built-in SNL310. The relationship between input digital data and output analog current signal is listed in the following table. Also, the recommended application circuit is illustrated as follows.

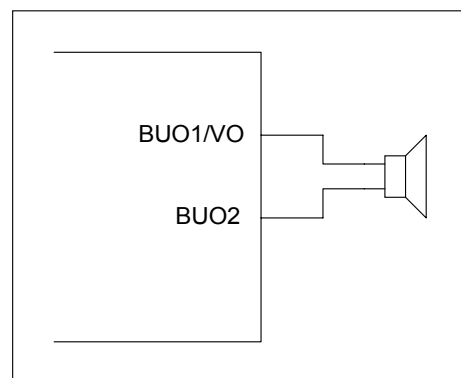
| Input data | Typical value of output current (mA) |
|------------|--------------------------------------|
| 0 | 0 |
| 1 | 3/1024 |
| ... | |
| n | $n \cdot (3/1024)$ |
| ... | |
| 1024 | 3 |

7.2 PWM

A PWM (pulse width modulation) circuit is built-in SNL310. PWM can convert input digital data into pulse trains with suitable different pulse width. The maximum resolution of PWM is 10 bits. Two huge output stage circuits are included in SNL310. Both of them are capable of driving speaker directly. The recommended application circuit is as follows.



DAC output



PWM output

8. EXTENSION BUS

SNL310 totally provides 64 I/O pins, those I/O pins can be configured to be address, data and control signal of extension bus except P2.0~P2.15 are the dedicated general I/O pins. **Table-1** shows the relation among P3.5~P3.15, P4.0~P4.15, P5.0~P5.7 and I/O pins.

| I/O Pin | Extension Bus | Descriptions |
|-------------|---------------|---|
| P3.10 | E_R | RD signal for 6800 interface |
| P3.15 | A[22] | Address pin of 16-bit mode memory accessing |
| P3.11~P3.14 | CS3~CS0 | Chip select pin |
| P4.0~P4.15 | A[0..15] | Address bus |
| P5.0~P5.5 | A[16..21] | Address bus |
| P5.6 | WR/RD | Write signal |
| P5.7 | RD/E | Read signal |
| P5.8~P5.15 | D[0..7] | Data bus |

Table-1

SNL310 provides four chip select pins for external devices, each chip select pin can be connected to memory device or LCD driver. Besides, all the address, data and control pins of extension bus are shared with general I/O pins. Normally, the default setting is general I/O pins for extension bus. User just need to set the enable control bit of extension bus then all the corresponding I/O pins will switch to be extension bus automatically.

8.1 Extension Bus for External Memory Device

SNL310 provides two access modes for external memory device. One is 8-bit mode and another one is 16-bit mode. User has to use 16-bit mode if executed user's program is from external memory. Most important of all, SNL310 only can execute user's program from the first external device. So user has to connect Mask ROM or Flash which already burn-in user's program to the "CS1"

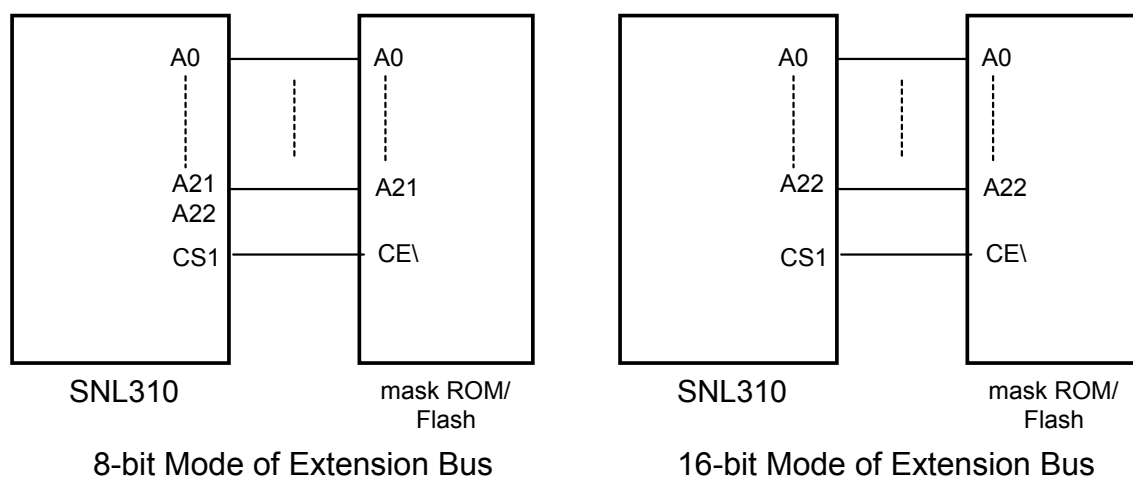


Figure-5

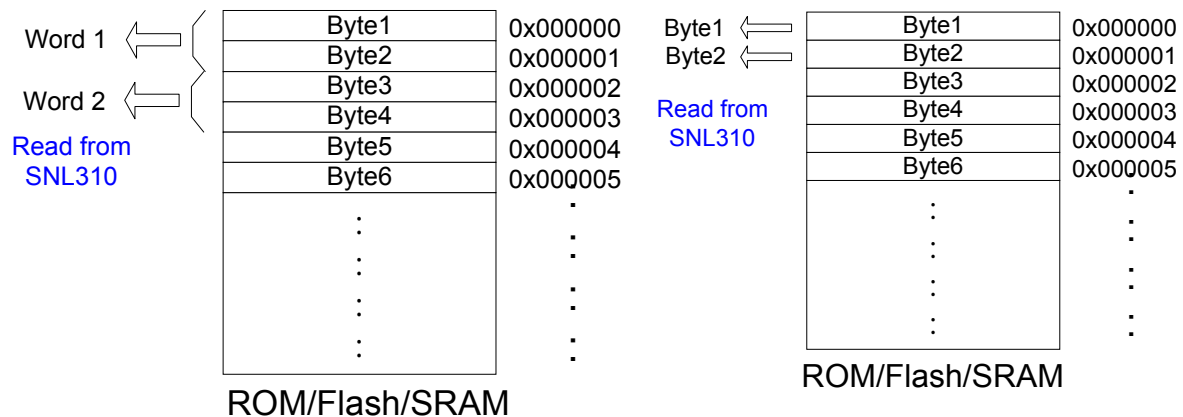


Figure-6

Figure-5 shows the hardware connection for 8-bit/16-bit mode for external memory accessing. The memory size calculation of each external memory device is a little difference between 8-bit and 16-bit mode because of the address pin “A[22]”.

In 16-bit mode, “A[22]” pin can be connected to external memory. And chip will read one byte data from external memory twice to get a complete 16-bit instruction code or data. So the maximum memory size can support up to 64M bits of each device.

In 8-bit mode, considering the memory mapping issue, user can't connected “A[22]” pin to external memory. So the maximum memory size can support up to 32M bits.

Figure-6 figures out how the data be read from external memory in 8-bit/16-bit mode.

However, all the data access from external memory is treated as RAM accessing except executes user's program from external memory. User should use indirection RAM access instruction to read data from external memory. Therefore, each chip selects pin representing a RAM bank in memory allocation of SNL310.

| Device No. | RAM bank | Start address | End Address |
|---------------------------------|---------------|---------------|-------------|
| 1 st external device | 0x008 ~ 0x03F | 0x0080000 | 0x03FFFFFF |
| 2 nd external device | 0x040 ~ 0x07F | 0x0400000 | 0x07FFFFFF |
| 3 rd external device | 0x080 ~ 0x0BF | 0x0800000 | 0x0BFFFFFF |
| 4 th external device | 0x0C0 ~ 0x0FF | 0x0C00000 | 0x0FFFFFFF |

Table-2 Addressing Capability (16-Bit Mode)

The addressing capacity of each external device is showed in **Table-2**. The memory allocation of each bank is 64K words and the addressing region of each device totally includes 64 banks except 1st device. In fact, the RAM bank of 1st device is shared with internal memory of SNL310, so there are only 56 banks in the first device. In another hand, user can not use full memory location in the first device. The actual addressing capacity of first device is less than 64M bits (64M bits – 8M bits) = 56M bits in 16-bit mode.

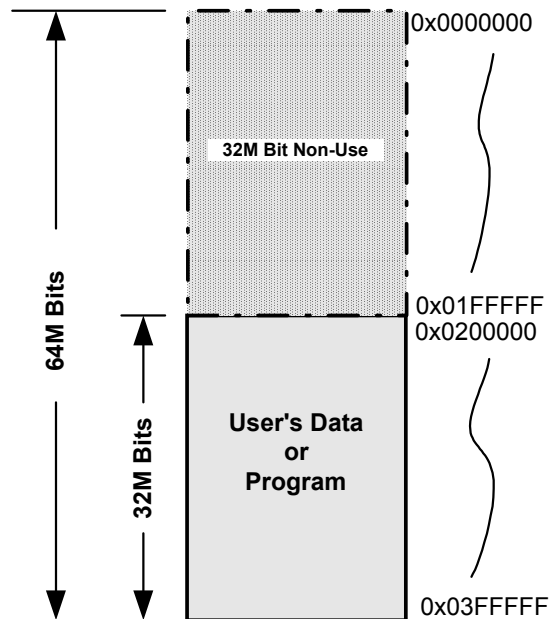


Figure-7

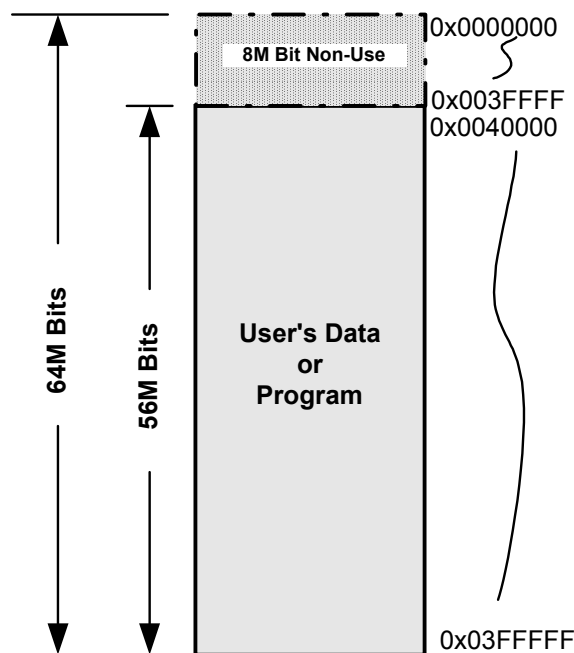
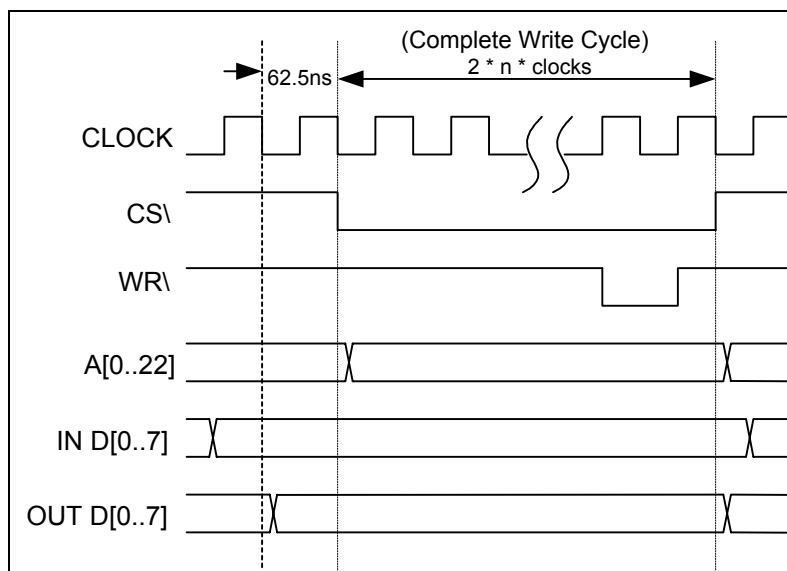
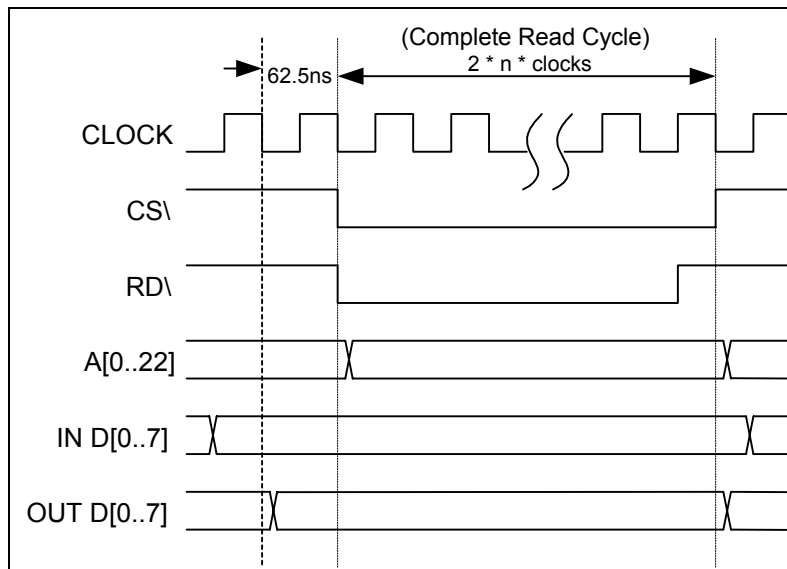


Figure-8

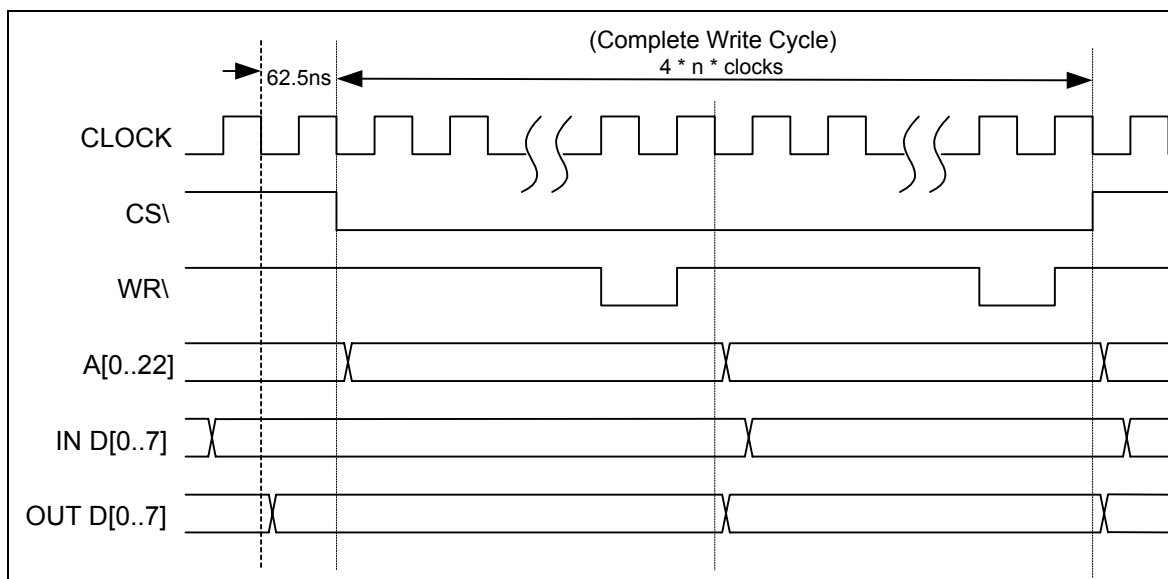
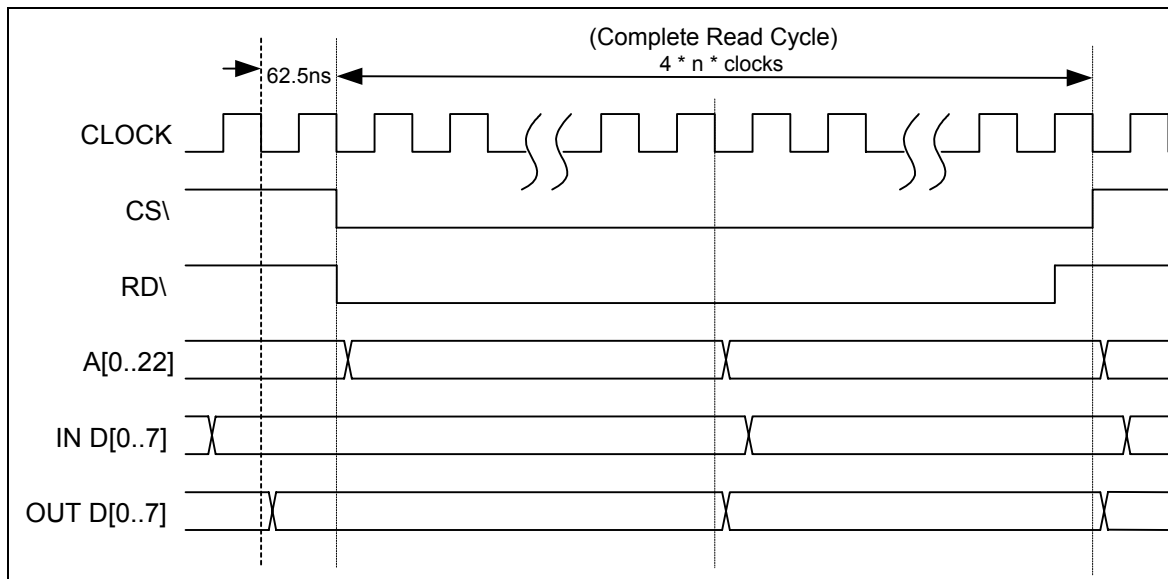
In **Figure-7**, CS0 of SNL310 connected a 32M-bit memory. So the useful addressing capacity is from 0x0200000 ~ 0x3FFFFFF.

In **Figure-8**, CS0 of SNL310 connected a 64M-byte memory. So the useful addressing capacity is from 0x0040000 ~ 0x03FFFFFF.



Access timing for 8-bit mode

Figure-9



Access timing for 16-bit mode

Figure-10

Figure-9 and **Figure-10** show the accessing timing for 8-bit mode and 16-bit mode. Considering to compatible with different access time memory, user can set different speed ratio in the special register "EDI" (External Device Information register). The value "n" in **Figure-9** and **Figure-10** is relative to the setting of speed ratio of EDI register.

9. UART INTERFACE

The built-in UART supports the serial data transmission. SNL310 provides data phase auto-clock calibration function. The RxD pin and TxD pin are shared with P3.0 & P3.1, and user can switch P3.0 and P3.1 to be RxD and TxD by configuring the RxD/TxD enable bit of UARTC register. User can configure the baud rate of UART from 1200bps to 115200bps just by using the single crystal system (16MHZ crystal). All the clock base of baud rate is counting by Timer2.

10. LCD DRIVER INTERFACE

10.1 8-Bit Interface

The extension bus of SNL310 supports not only external memory device but also 8-bit 8080/6800 microprocessor interface for external LCD controller which already built-in LCD display RAM. User should enable extension bus before driving external LCD driver, and define the chip select pin you used to connect to LCD driver in EBC register.

In 8-bit interface LCD controller, LCD display data is stored in LCD driver. Any change of LCD display is sent out to external LCD driver's RAM by addressing different SRAM space. The interface emulates the 8080/6800-series interface to speed up the interface data moving processing.

Figure-11 and **Figure-12** are the timing diagrams between SNL310 and LCD driver by using 8-bit 8080/6800 interface.

8080-series Interface:

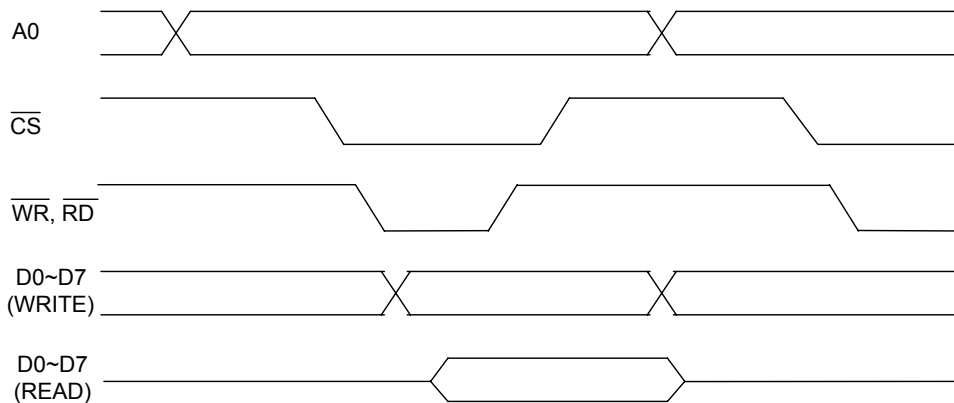


Figure-11

6800-series Interface:

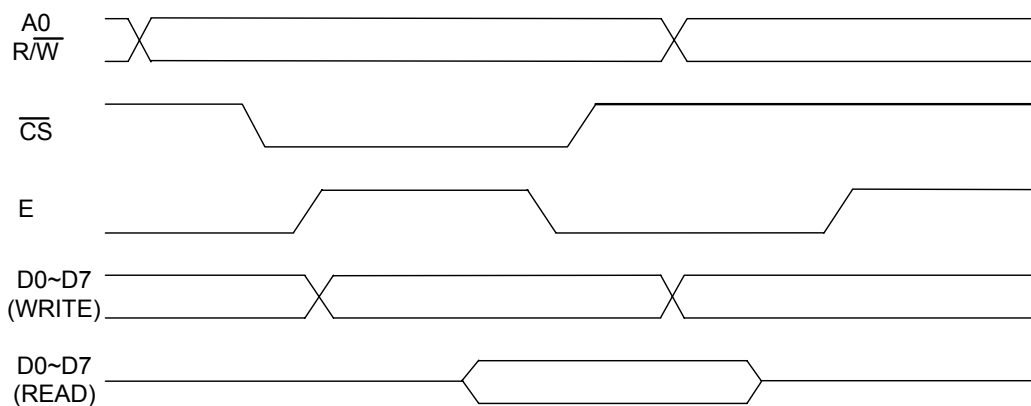
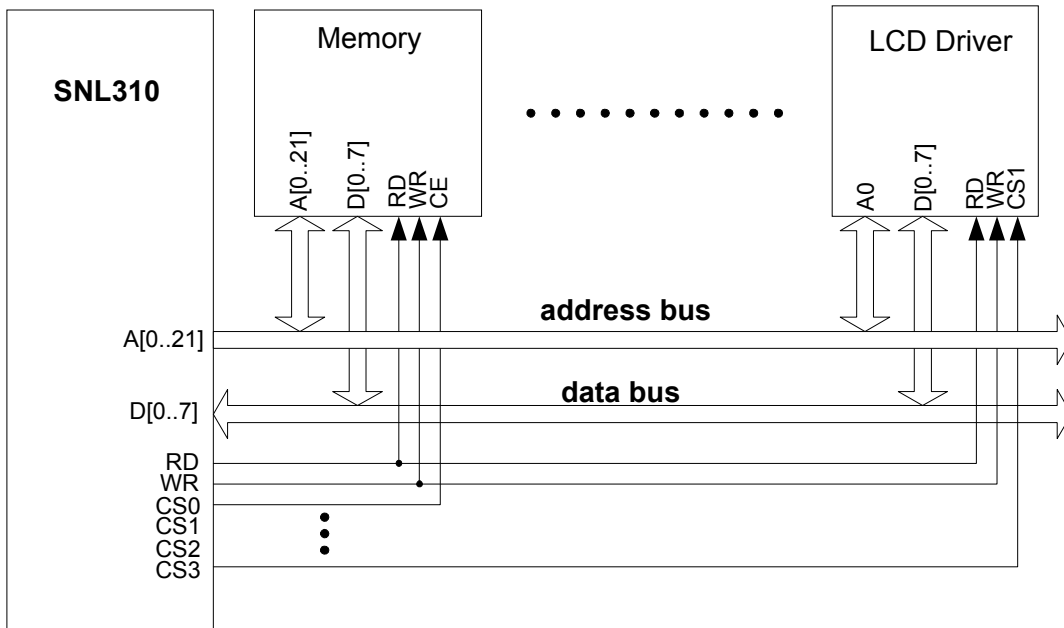
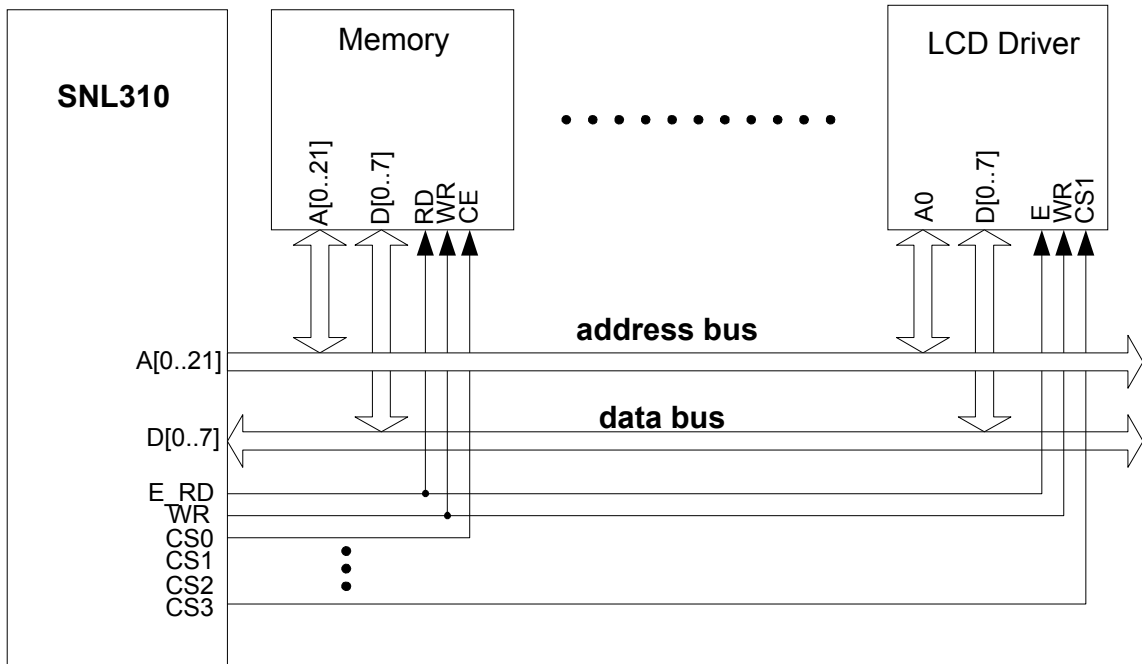


Figure-12

In SNL310, the interface with external 8-bit mode LCD driver is shared with extension bus. When LCD driver connected to SNL310, chip will allocate a memory area for LCD driver and the size of this memory area will depend on unit size of each external device. So it is easy to configure LCD driver and read/write data to/from LCD driver. **Figure-13** and **Figure-14** show out the system connection of 808/6800 LCD interfaces between SNL310 and LCD driver.



8080 LCD driver interface
Figure-13



6800 LCD driver interface
Figure-14

10.2 1-Bit Interface

SNL310 supports not just 8-bit interface but also 1-bit interface LCD driver. For this kind LCD driver doesn't include display RAM. All the display data is stored in host CPU. So host CPU has to specify a dedicate interface to drive LCD driver. Beside the interface, SNL310 reserves the last 2K words RAM (0x0800~0x0FFF) for stored the display data, then interface circuit will send accurate signal to LCD driver automatically.

P3.6~P3.10 can be configured to be 1-bit interface for LCD driver just by property setting control register. **Table-3** shows the relation between P3.6~P3.10 and LCD driver interface.

| I/O Pin | Extension Bus | Descriptions |
|---------|---------------|-----------------------------|
| P3.6 | LSD | LCD serial data output |
| P3.7 | LCO1 | LCD serial mode clock out1 |
| P3.8 | LCO2 | LCD serial mode clock out2 |
| P3.9 | LFC | LCD frame inversion control |
| P3.10 | COMS | COM data synchronize signal |

Table-3

10.3 LCD RAM Assignment

Generally, those 1-bit interface LCD drivers don't built-in the LCD display RAM. All the display data have been stored in CPU side. The SNL310 already built-in totally 4K words RAM, so user can set a property value of LCD RAM start address (LRSA) register to assign a RAM location for LCD display data. The start address setting formula is shown as bellow:

Calculating formula of start address

If SEG number divided by 16

4096-(SEG numbe/16)*COM number => for B/W

4096-(SEG numbe/16)*COM number*2 => for 4 gray levels

If SEG number can't divided by 16

4096-((SEG numbe/16)+1)*COM number => for B/W

4096-((SEG numbe/16)+1)*COM number*2 => for 4 gray levels

Once upon user set the start address of LCD display RAM and active this interface function, chip will send the display data out to external LCD driver at the right time.



10.4 LCD RAM Mapping

65COM X 128SEG

| SEG | 0.....15 | 16.....31 | | 104.....119 | 120.....127 |
|-------|----------------|----------------|-------|----------------|----------------|
| | Bit0.....Bit15 | Bit0.....Bit15 | | Bit0.....Bit15 | Bit0.....Bit15 |
| COM0 | 0x0DF8 | 0x0DF9 | | 0x0DFE | 0x0DFF |
| COM1 | 0x0E00 | 0x0E01 | | 0x0E06 | 0x0E07 |
| : | : | : | : | : | : |
| : | : | : | : | : | : |
| : | : | : | : | : | : |
| COM63 | 0x0FF0 | 0x0FF1 | | 0x0FF6 | 0x0FF7 |
| COM64 | 0x0FF8 | 0x0FF9 | | 0x0FFE | 0x0FFF |

64COM X 128SEG

| SEG | 0.....15 | 16.....31 | | 104.....119 | 120.....127 |
|-------|----------------|----------------|-------|----------------|----------------|
| | Bit0.....Bit15 | Bit0.....Bit15 | | Bit0.....Bit15 | Bit0.....Bit15 |
| COM0 | 0x0E00 | 0x0E01 | | 0x0E06 | 0x0E07 |
| COM1 | 0x0E08 | 0x0E09 | | 0x0E0E | 0x0E0F |
| : | : | : | : | : | : |
| : | : | : | : | : | : |
| : | : | : | : | : | : |
| COM62 | 0x0FF0 | 0x0FF1 | | 0x0FF6 | 0x0FF7 |
| COM63 | 0x0FF8 | 0x0FF9 | | 0x0FFE | 0x0FFF |

48COM X 128SEG

| SEG | 0.....15 | 16.....31 | | 104.....119 | 120.....127 |
|-------|----------------|----------------|-------|----------------|----------------|
| | Bit0.....Bit15 | Bit0.....Bit15 | | Bit0.....Bit15 | Bit0.....Bit15 |
| COM0 | 0x0E80 | 0x0E81 | | 0x0E8E | 0x0E8F |
| COM1 | 0x0E90 | 0x0E91 | | 0x0E96 | 0x0E97 |
| : | : | : | : | : | : |
| : | : | : | : | : | : |
| : | : | : | : | : | : |
| COM46 | 0x0FF0 | 0x0FF1 | | 0x0FF6 | 0x0FF7 |
| COM47 | 0x0FF8 | 0x0FF9 | | 0x0FFE | 0x0FFF |



32COM X 128SEG

| SEG | 0.....15 | 16.....31 | | 104.....119 | 120.....127 |
|--------------|----------------|----------------|-------|----------------|----------------|
| | Bit0.....Bit15 | Bit0.....Bit15 | | Bit0.....Bit15 | Bit0.....Bit15 |
| COM0 | 0x0F00 | 0x0F01 | | 0x0F06 | 0x0F07 |
| COM1 | 0x0F08 | 0x0F09 | | 0x0F0E | 0x0F0F |
| : | : | : | : | : | : |
| : | : | : | : | : | : |
| : | : | : | : | : | : |
| COM31 | 0x0FF0 | 0x0FF1 | | 0x0FF6 | 0x0FF7 |
| COM32 | 0x0FF8 | 0x0FF9 | | 0x0FFE | 0x0FFF |

:
:

10.5 LCD Interface Configuration

There are three control registers (LCDC, COMN and SEGN) to configure hardware to generate correct interface signal for LCD driver. The COMN and SEGN register are used to specify how many common and segment number of LCD display. And the LCDC register is the most important configuration register for this interface. For the detail setting is showed as bellow:

LCD Configuration Register (LCDC)

LCDC initial value=0xxx xxx0 0000 0001

| | | | | | | | | | | | | | | | | |
|------|--------|----|----|----|----|----|---|-------|------------|-------|---|---|---|---|---|---|
| Bit | 15 | 14 | 13 | 12 | 11 | 10 | 9 | 8 | 7 | 6 | 5 | 4 | 3 | 2 | 1 | 0 |
| LCDC | LCDEnb | - | - | - | - | - | - | GrayC | Pre-Scalar | FRate | | | | | | |

LCDEnb: 1-bit LCD interface enable control 0: disable 1: enable

GaryC: Gray level control:
00: Blank/white 01: 2-level
10: 4-level

Pre-Scalar: Define LCO1 clock rate
0x000: 16MHZ/4 0x001: 16MHZ/8
0x010: 16MHZ/16 0x011: 16MHZ/32
0x100: 16MHZ/64 0x101: 16MHZ/128
0x110: 16MHZ/256 0x111: 16MHZ/512

FRate: 0x0001: 256HZ (1/256 sec) 0x0010: 128HZ (2/256 sec)
0x0011: 85.3HZ (3/256 sec) 0x0100: 64HZ (4/256 sec)
:
0x1111: 17HZ (15/256 sec)

NOTE:

1. The real Frame Rate
 - For B/W display = FRate value/2
 - For 2 gray level = FRate value/4
 - For 4 gray level = FRate value/6

2. Pre-Scalar calculation formula

Formula:

$Divider\ value * 2^{15} > SEG\ number * (COM\ number + 1) * 2^{(pre\ scalar\ value + 1)}$

Example:

LCD display = 80com X 160seg (B/W display)

Frame Rate = 64

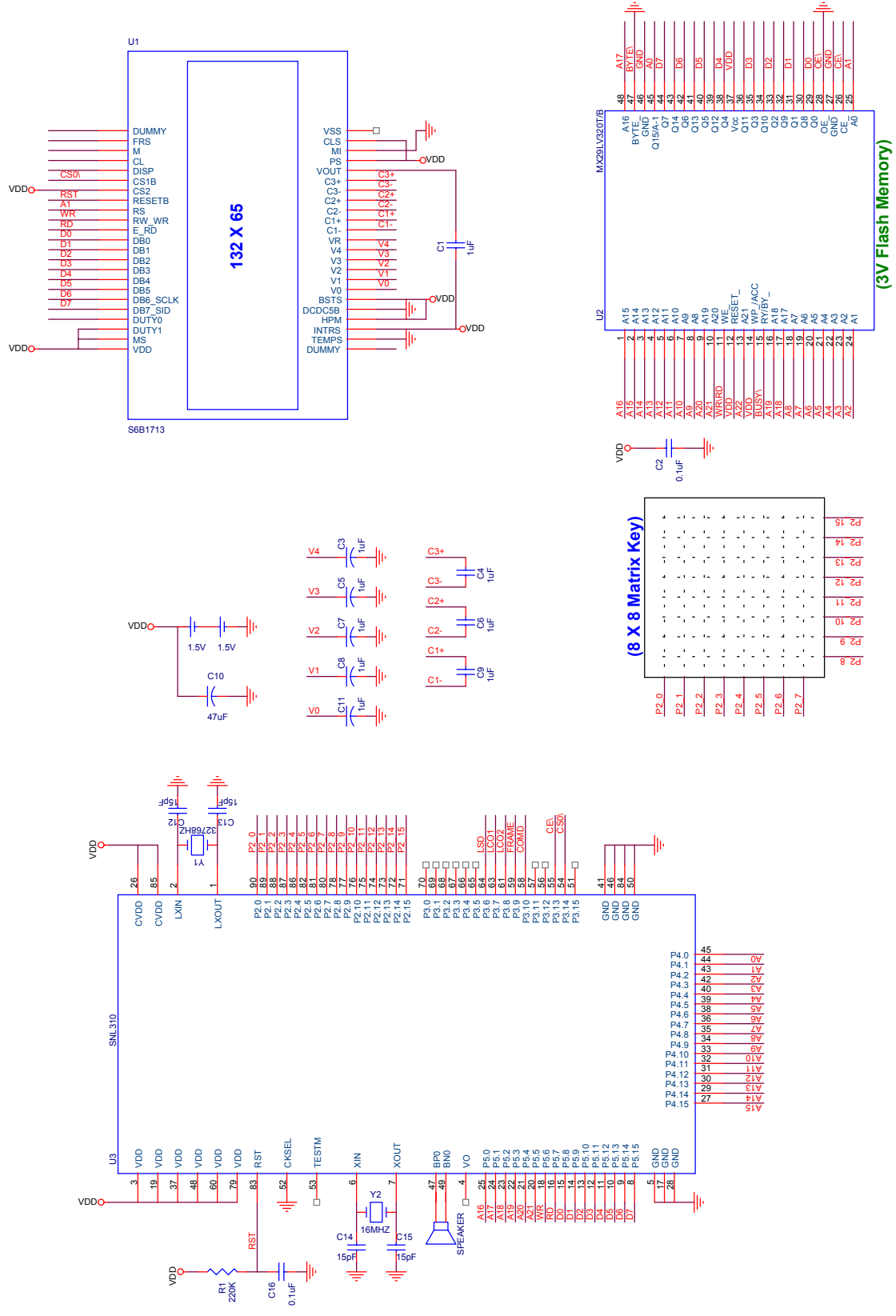
$\Rightarrow 2 * 2^{15} > 160 * (80 + 1) * 2^{(pre\ scalar\ value + 1)}$

$\Rightarrow Pre\ scalar \leq 1 (0x001)$

11. APPLICATION DIAGRAM

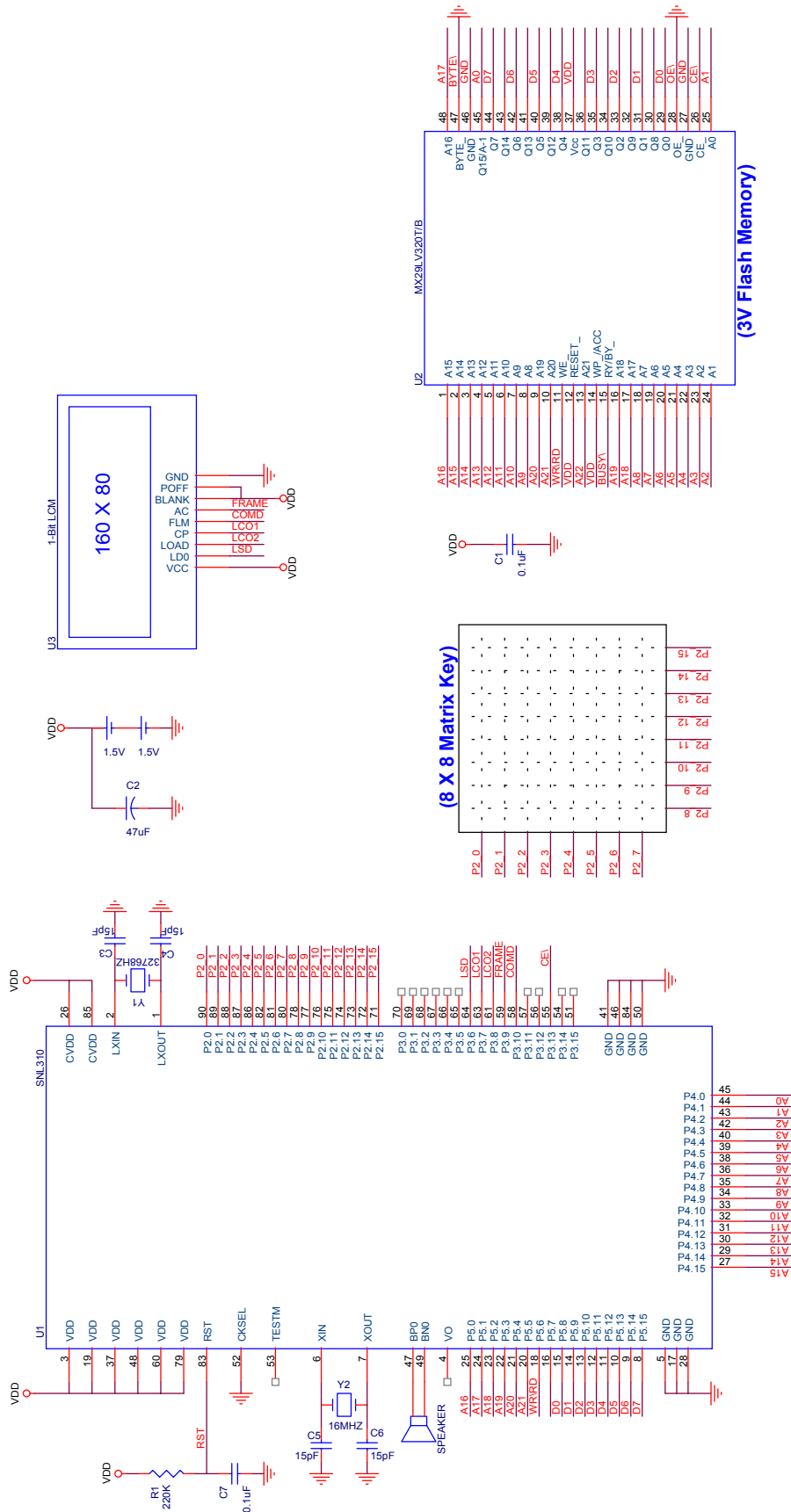
11.1 Application 1

3V/16M Crystal, with 8-Bit LCD driver and 32M Flash memory

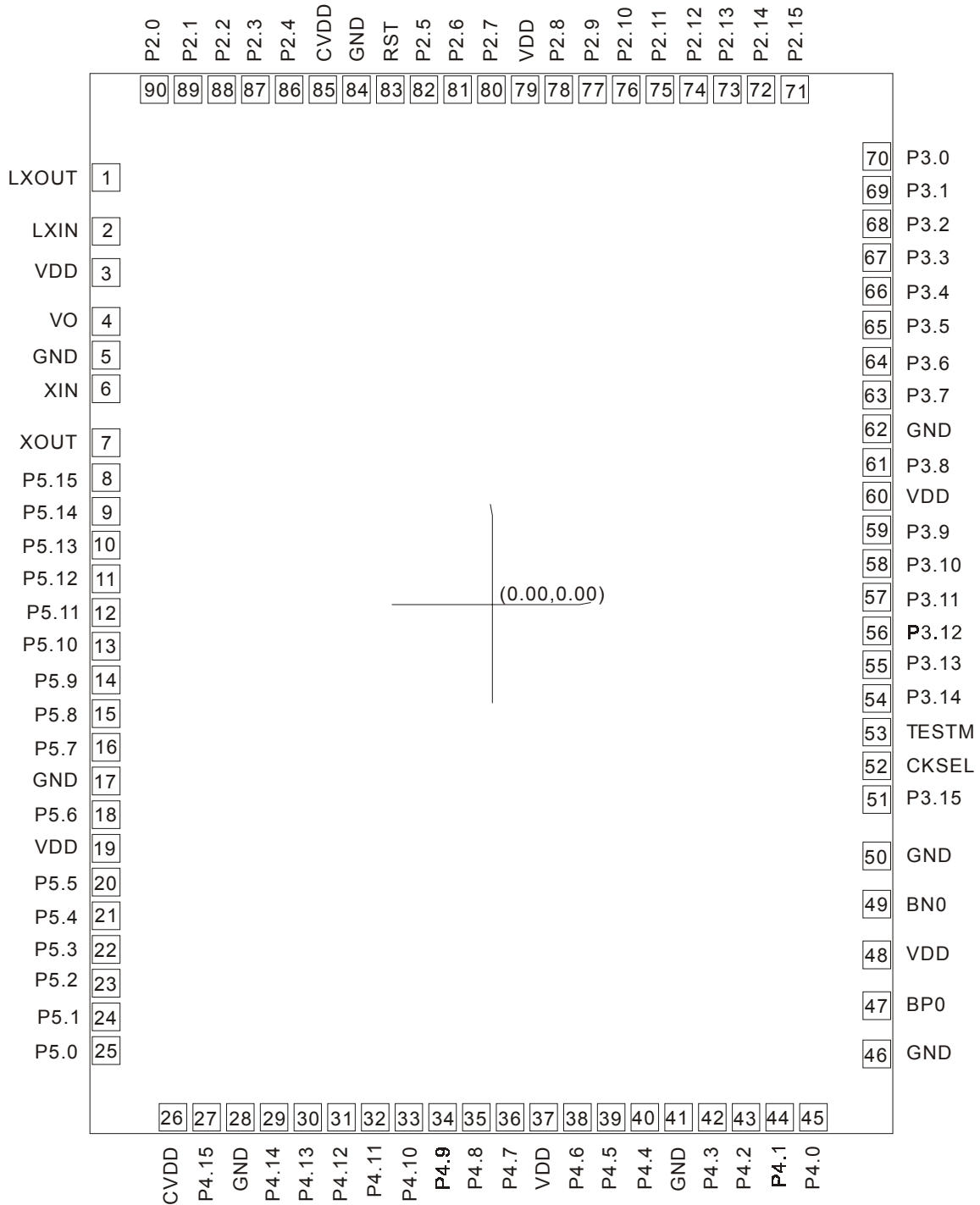


11.2 Application 2

3V/16M Crystal, with 1-Bit LCD driver (80 x 160) and 32M Flash memory



12. BONDING PAD



Note: The substrate MUST be connected to Vss in PCB layout.

13. ABSOLUTE MAXIMUM RATINGS

| Items | Symbol | Min | Max | Unit. |
|-----------------------|------------|---------|--------------|-------|
| Supply Voltage | V_{DD-V} | -0.3 | 6.0 | V |
| Input Voltage | V_{IN} | GND-0.3 | $V_{DD}+0.3$ | V |
| Operating Temperature | T_{OP} | 0 | 55 | °C |
| Storage Temperature | T_{STG} | -55.0 | 125.0 | °C |

14. ELECTRICAL CHARACTERISTICS

| Item | Sym. | Min. | Typ. | Max. | Unit | Condition |
|---------------------------------|-----------|------|------|------|---------|------------------------|
| Operating Voltage | V_{DD} | 2.4 | - | 3.6 | V | *1. |
| | V_{DD} | 3.6 | - | 5.1 | V | *2. |
| Standby current | I_{SBY} | - | - | 2.0 | μA | $V_{DD}=3V$, no load |
| Operating Current | I_{OPR} | - | - | 5 | mA | $V_{DD}=3V$, no load |
| Input current of P2, P3, P4, P5 | I_{IH} | - | - | 10.0 | μA | $V_{DD}=3V, V_{IN}=3V$ |
| Drive current of P2, P3, P4, P5 | I_{OD} | - | 10 | - | mA | $V_{DD}=3V, V_O=2.4V$ |
| Sink Current of P2, P3, P4, P5 | I_{OS} | - | 12 | - | mA | $V_{DD}=3V, V_O=0.4V$ |
| Drive current of Buo1 | I_{OD} | 100 | 120 | - | mA | $V_{DD}=3V, Buo1=1.5V$ |
| Sink Current of Buo1 | I_{OS} | 100 | 120 | - | mA | $V_{DD}=3V, Buo1=1.5V$ |
| Drive Current of Buo2 | I_{OD} | 100 | 120 | - | mA | $V_{DD}=3V, Buo2=1.5V$ |
| Sink Current of Buo2 | I_{OS} | 100 | 120 | - | mA | $V_{DD}=3V, Buo2=1.5V$ |
| Oscillation Freq. (crystal) | F_{OSC} | - | 16.0 | - | MHz | $V_{DD}=3V$ |

Note:

1. For 2 batteries application.
2. For 3 batteries application, user should add 1 resistor between power and CVDD pin of chip.

DISCLAIMER

The information appearing in SONiX web pages (“this publication”) is believed to be accurate.

However, this publication could contain technical inaccuracies or typographical errors. The reader should not assume that this publication is error-free or that it will be suitable for any particular purpose. SONiX makes no warranty, express, statutory implied or by description in this publication or other documents which are referenced by or linked to this publication. In no event shall SONiX be liable for any special, incidental, indirect or consequential damages of any kind, or any damages whatsoever, including, without limitation, those resulting from loss of use, data or profits, whether or not advised of the possibility of damage, and on any theory of liability, arising out of or in connection with the use or performance of this publication or other documents which are referenced by or linked to this publication.

This publication was developed for products offered in Taiwan. SONiX may not offer the products discussed in this document in other countries. Information is subject to change without notice. Please contact SONiX or its local representative for information on offerings available. Integrated circuits sold by SONiX are covered by the warranty and patent indemnification provisions stipulated in the terms of sale only. The application circuits illustrated in this document are for reference purposes only. SONiX DISCLAIMS ALL WARRANTIES, INCLUDING THE WARRANTY OF MERCHANTABILITY OR FITNESS FOR ANY PURPOSE. SONiX reserves the right to halt production or alter the specifications and prices, and discontinue marketing the Products listed at any time without notice. Accordingly, the reader is cautioned to verify that the data sheets and other information in this publication are current before placing orders.

Products described herein are intended for use in normal commercial applications. Applications involving unusual environmental or reliability requirements, e.g. military equipment or medical life support equipment, are specifically not recommended without additional processing by SONiX for such application.